

Introduction

The 3-way-ball valve, connection bottom, offers new solutions and benefits:

- The stem's triple seal ensures significant durability (even in extreme operating conditions).
- The innovative contours of the (patented) ball seals ensure easy handling and a lasting, secure seal.
- Grooves at the top of the stem clearly show the position of the holes (and therefore the direction of flow) in the ball at all times (see fig. 1/2).
- The actuator attachment board is positioned on the valve in accordance with standard ISO 5211, allowing pneumatic and electric switches to be directly installed.
- The ability to install the control lever in various positions (fig. 3) allows the flow to be diverted to achieve the various configurations shown in the diagrams below.

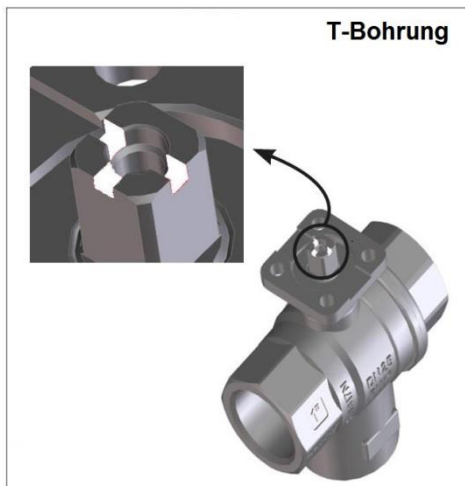


FIG. 1

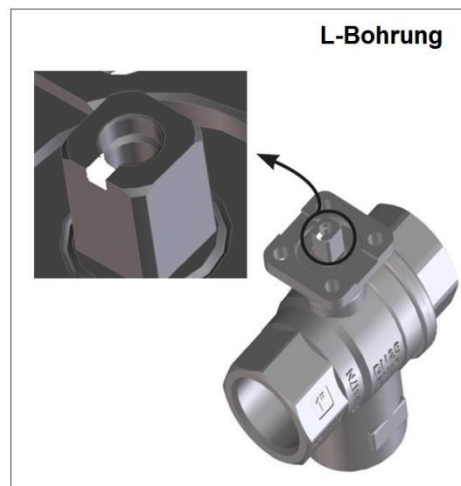


FIG. 2

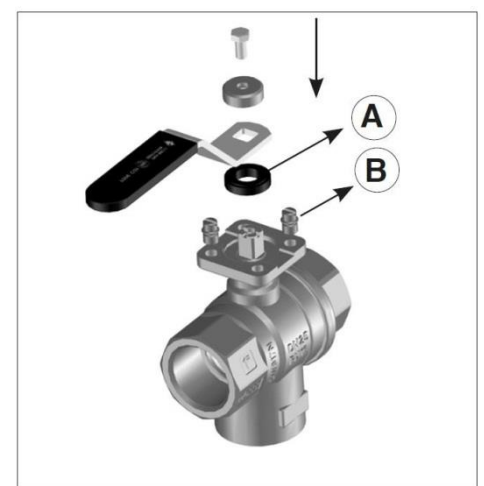


FIG. 3

The pressurization should occur from the central connection at the bottom, only. The diversion is made by a 180° rotation of the handle towards one of the two outlets. We offer two type of ball ports which allow, in the central position, to have different possibilities, i.e.:

- The ball „T“ drilled, in the central position connects with all the three ways. As a result the flow's exit can be in both the side's body connections.
- The ball „L“ drilled, in the central position, closes at the same time the 2 side's exits (closed position)

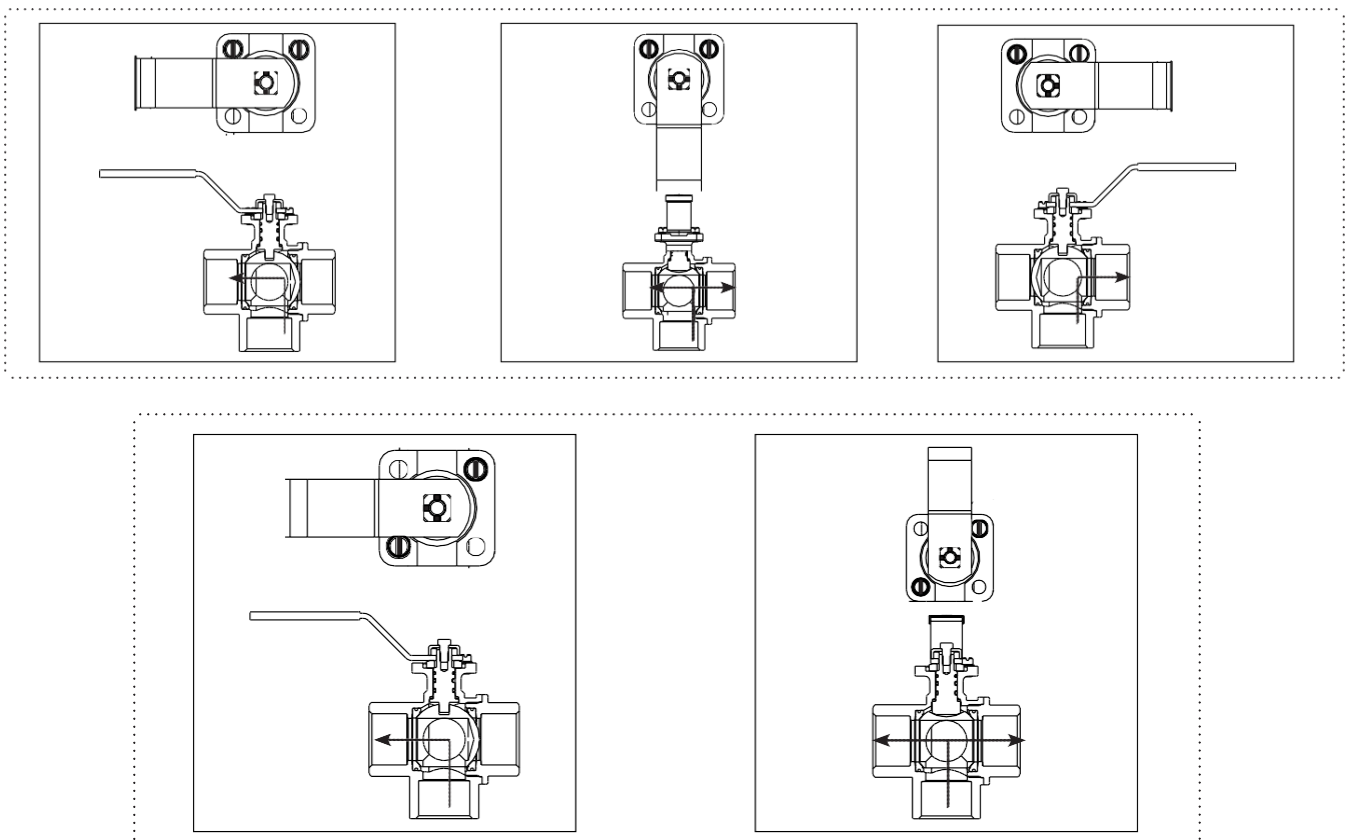
We recommend the valve use in fully open or closed, not in mid position, and to manoeuvre the valve at least twice a year.

Instructions for fitting the lever and travel stops

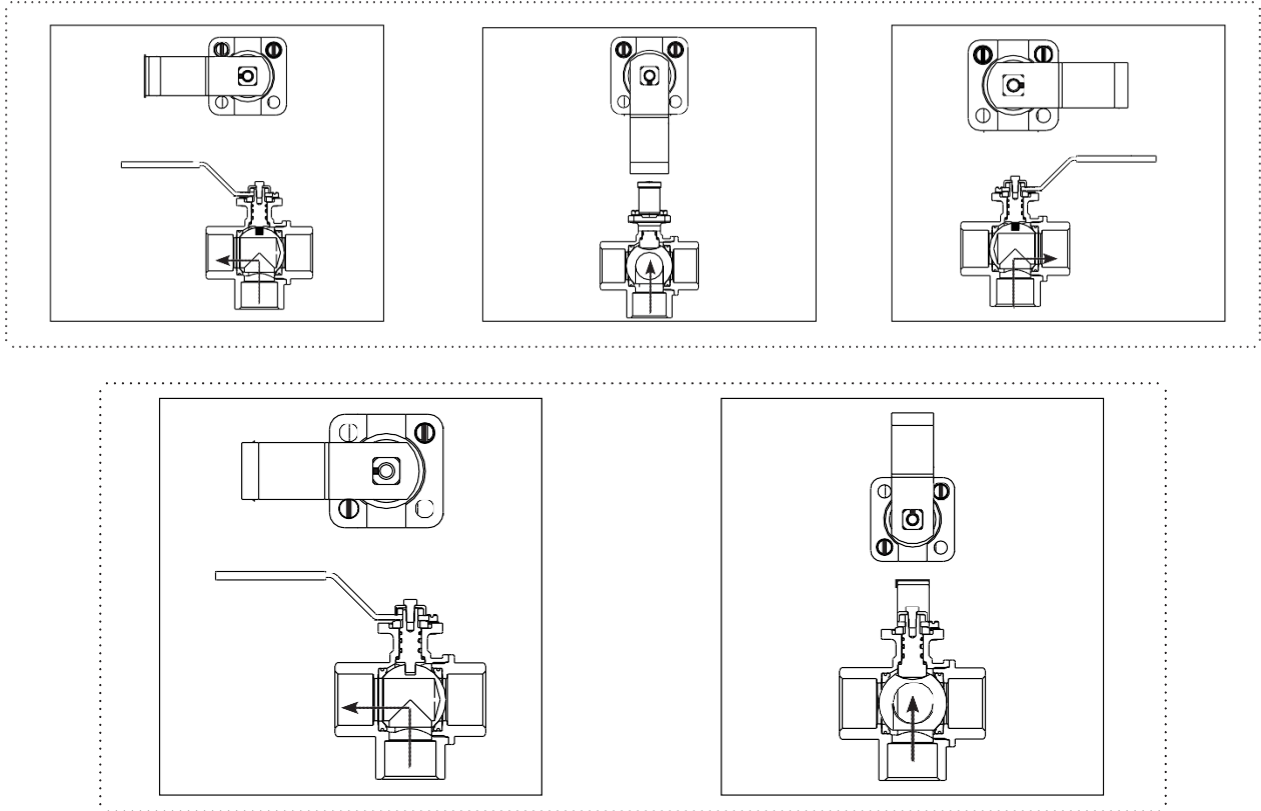
- Fit the valve, taking care to position the ball ports along the line that the flow should follow.
- Fluid should always enter from the central port of the valve.
- Position the anti-friction seal (A) and the lever on the valve stem (Fig. 3).
- Move the valve as required, inserting the pins (B) in the two end stop positions on the lever itself.
- Fasten the lever with the cap and screw supplied (Fig. 3).

Some examples of travel stop positioning:

T-hole



L-hole



Applies to the following articles:

3-way ball valve, connection bottom, L-hole

Article No.	Type No.
136326 to 136333	1085 A to 1085 H

3-way ball valve, connection bottom, T-hole

Article No.	Type No.
136334 to 136341	1086 A to 1086 H